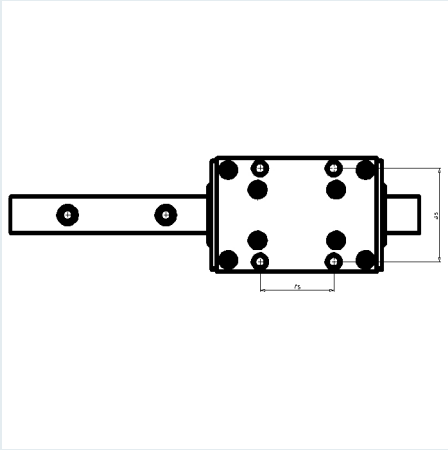
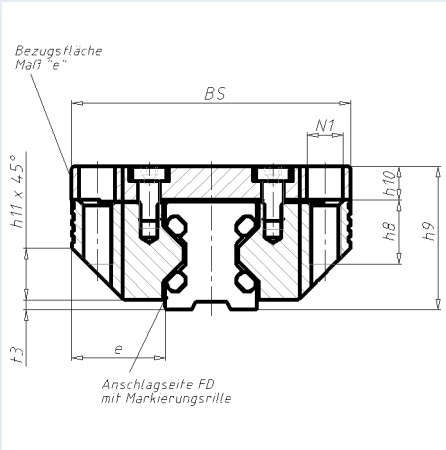
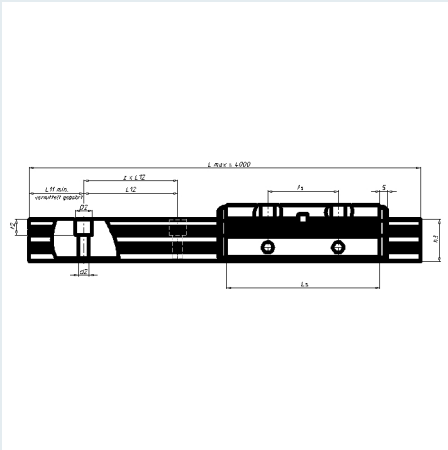
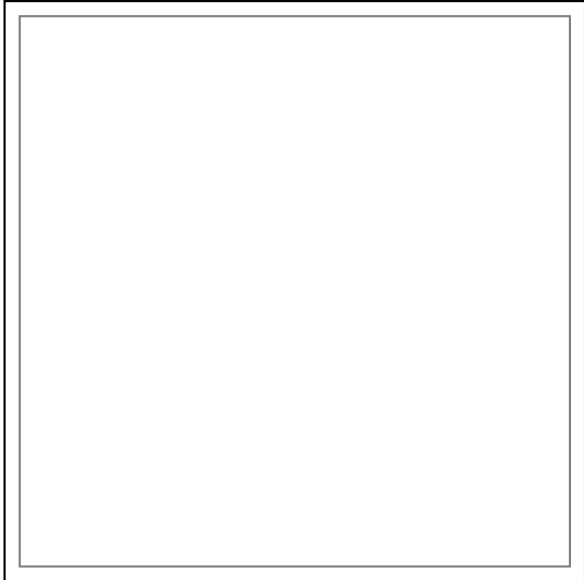




aluminium cassette standard - size 25 FDA25K

PDF DATASHEET

© 1992 - 2008 CADENAS GmbH





aluminium cassette standard - size 25 FDA25K

PDF DATASHEET

© 1992 - 2008 CADENAS GmbH

size (size)	25
LAENGE (length L / mm)	1500
stroke (position / mm)	0
number (thread z)	24
BNRS (order number double rail)	62575A
BNRK (order number cassette)	84363A
C (load rating C / N)	9000
CO (load rating Co / N)	10100
MOCX (moment load rating RSP Mocx)	158
MCX (moment load rating RSP Mcx)	142
MOCYZ (moment load rating RSP Mocy/Mocz)	222
MCYZ (moment load rating RSP Mcy/Mcz)	198
LS (length Ls / mm)	98
BF (width BF / mm)	23
BS (width Bs / mm)	70
H3 (height h3 / mm)	27
H9 (height h9 / mm)	36
AS (width as / mm)	57
DD2 (diameter d2 / mm)	6.6
D2 (diameter D2 / mm)	11
E (width e / mm)	23.5
FS (length fs / mm)	45
H8 (height h8 / mm)	16
H10 (height h10 / mm)	8.5
H11 (height h11 / mm)	13
L11 (length L11 min. / mm)	10
L12 (length L12 / mm)	60
T2 (depth t2 / mm)	10
T3 (depth t3 / mm)	2.5
N1 (thread N1)	M8
GEWK (weight cassette / kg)	0.6
GEW (weight / kg)	1.8



aluminium cassette standard - size 25

FDA25K

PDF DATASHEET

© 1992 - 2008 CADENAS GmbH

Bill of material

N°	LINA	Amount
1	FDA25 62575A 84363A_1500	1
1.1	size 25-1500-0	1
1.2	plate 25	1
1.3	screw 25	8
1.4	wiper plate 25	2
1.5	roller holder 25	2
1.6	screw cap 25	1
1.7	filler piece 25	1
1.8	wiper plate 25	2