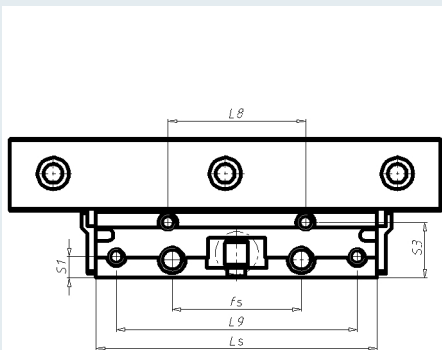
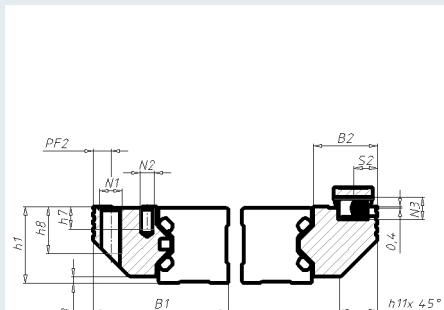
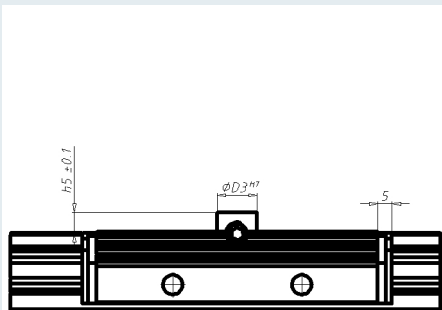
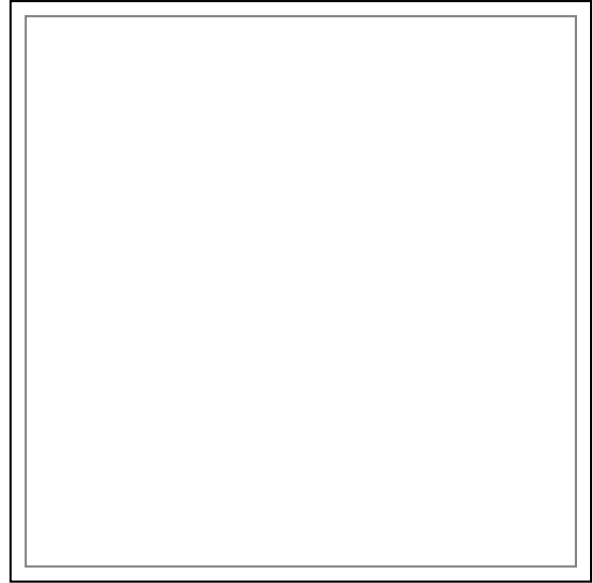
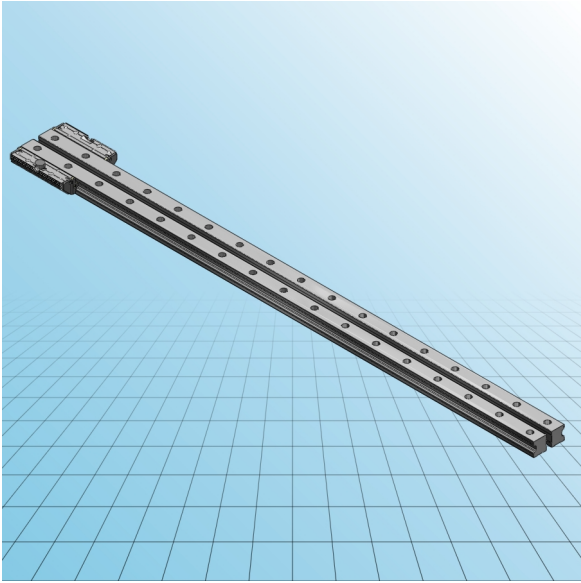




aluminium roller shoes standard - size
25
FDA25R

PDF DATASHEET

© 1992 - 2008 CADENAS GmbH





aluminium roller shoes standard - size 25 FDA25R

size (size)	25
LAENGE (length L / mm)	1000
stroke (position / mm)	0
B (width B / mm)	10
number (thread z)	16
BNRS (order number single rail pair)	62717A
BNRR (order number roller shoe pair)	84367A
C (load rating C / N)	9000
CO (load rating Co / N)	10100
MOCX (moment load rating RSP Mocx)	5.0(B+58.4)
MCX (moment load rating RSP Mcx)	4.5(B+58.4)
MOCYZ (moment load rating RSP Mocy/Mocz)	222
MCYZ (moment load rating RSP Mcy/Mcz)	198
LS (length Ls / mm)	98
BE (width BE / mm)	25
B1 (width B1 / mm)	48.4
H1 (height h1 / mm)	27.5
A (length a / mm)	10.5
BB (length b / mm)	17.5
H3 (height h3 / mm)	27
DD2 (diameter d2 / mm)	6.6
D2 (diameter D2 / mm)	11
FS (length fs / mm)	45
B2 (width B2 / mm)	22.9
DD3 (diameter D3 / mm)	14
D4 (diameter D4 / mm)	6
H5 (height h5 / mm)	7
H7 (height h7 / mm)	5
H8 (height h8 / mm)	16
H11 (height h11 / mm)	13
L8 (length L8 / mm)	48
L9 (length L9 / mm)	84
L11 (length L11 min. / mm)	10
L12 (length L12 / mm)	60
T2 (depth t2 / mm)	10
T3 (depth t3 / mm)	2.5
N1 (thread N1)	M8
N2 (thread N2)	M5
N3 (thread N3)	M8
PF1 (width PF1 / mm)	12
PF2 (width PF2 / mm)	6.4
S1 (height S1 / mm)	7.4



**aluminium roller shoes standard - size
25
FDA25R**

PDF DATASHEET

© 1992 - 2008 CADENAS GmbH

S2 (height S2 / mm)	8.9
S3 (height S3 / mm)	19.4
GEWR (weight RSP / kg)	0.5
GEW (weight / kg)	1.8



**aluminium roller shoes standard - size
25
FDA25R**

PDF DATASHEET

© 1992 - 2008 CADENAS GmbH

Bill of material

N°	LINA	Amount
1	FDA25 62717A 84367A_1000	1
1.1	size 25 1000-0-10	2
1.2	FEK Rollenhalter 25	2
1.3	wiper 25	4
1.4	wiper plate 25-1	2
1.5	wiper plate 25	2
1.6	adapting plate 25	1