



Częstochowa, dn. 21.03.2012 r.

**Technical correction relating to inquiry no. 0305/MS/2012
and change the SETC with the change of the date of submission offers**

Dear Madam / Sir,

Due to the change of technical parameters, offerent introduces a technical correction to the functional of the furnace. The following figure and table are an actualization of the SETC about of the inquiry for: **the delivery of elements to build a furnace to thermomagnetic treatment**, no. 0305/MS/2012 inquiry.

FURNACE FOR THERMOMAGNETIC TREATMENT

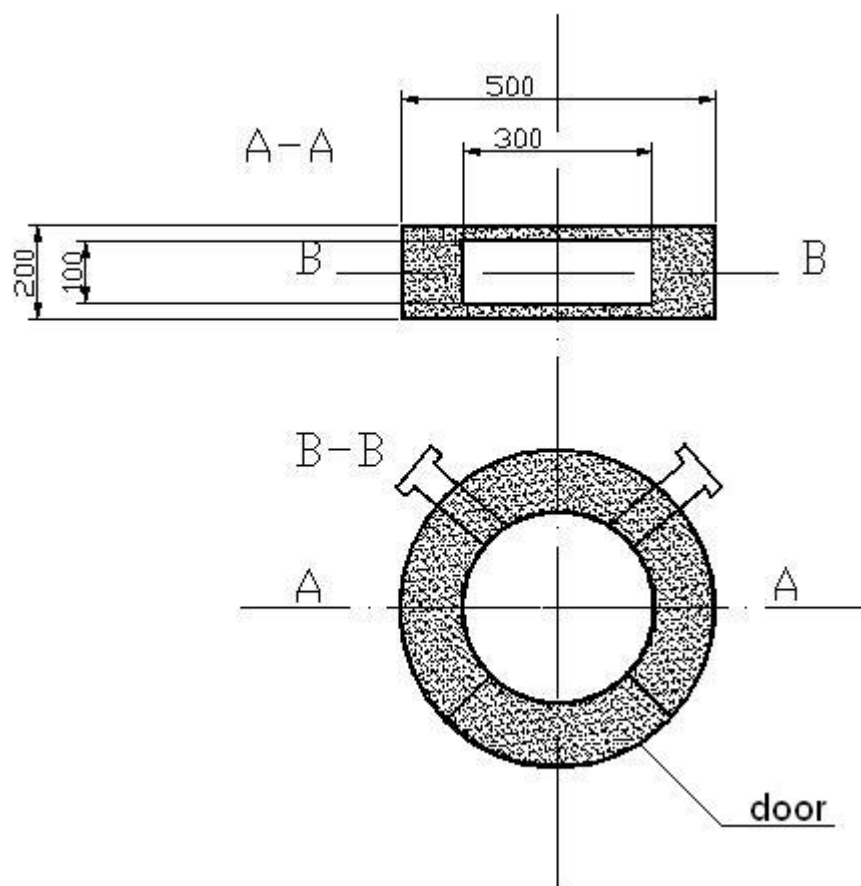


Fig. 1. Cross-section of the furnace

TECHNICAL SPECIFICATION

Lp.	Parameter	Value
1	Max. temperature	650°C
2	Min. chamber dimensions	φ300 x 100mm



Projekt pt. „Badania przemysłowe modułów pomiarowych rzeczywistego zużycia energii elektrycznej”
współfinansowany ze środków Europejskiego Funduszu Rozwoju Regionalnego
w ramach Programu Operacyjnego Innowacyjna Gospodarka
Nr umowy: UDA-POIG.01.04.00-24-006/11-00

3	Usable volume dimensions	φ300 x 80mm
4	Outer dimensions of furnace	According to drawing
5	Position of the furnace	According to drawing
6	Power supply	400 V, 50Hz
7	Temperature control	Follower system
8	Thermocouples	3 x typ „K”
9	Repeatable control accuracy	± 1°C
10	The protective atmosphere	N2 and Ar
11	Method of charging	According to drawing
12	Maximum weight of the charge	15kg
13	Heating system	Electric
14	The material used for the implementation of the furnace cover	Non magnetic steel

Due to modification of the SETC documentation, Purchaser makes changes in the dates of inquiry, i.e.:

- we extend deadline for submission of offers until **02.04.2012** (inquiry item 3),
- we change term to **03.04.2012**, when final decision will taken (inquiry item 4).

Yours sincerely

Marian Soiński