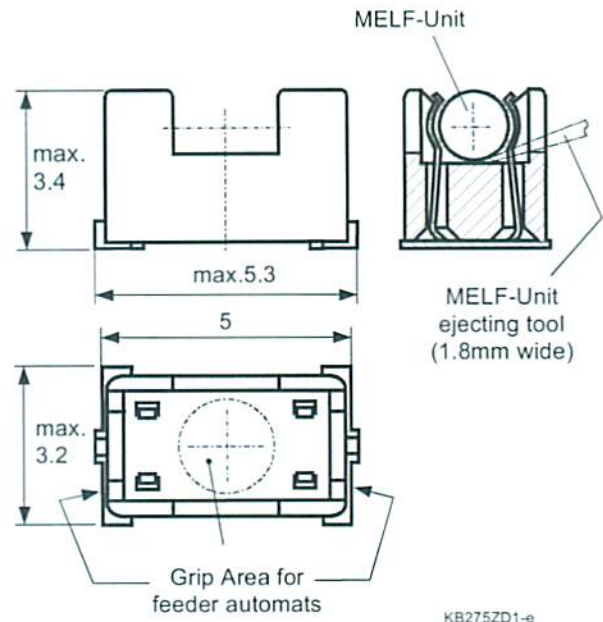
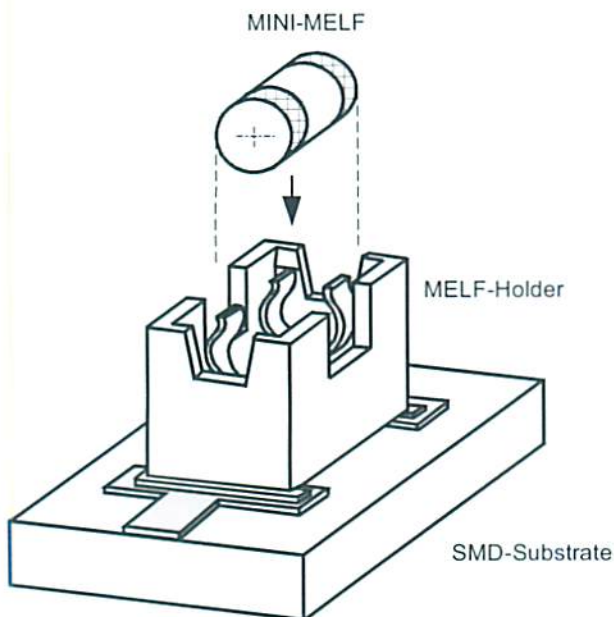
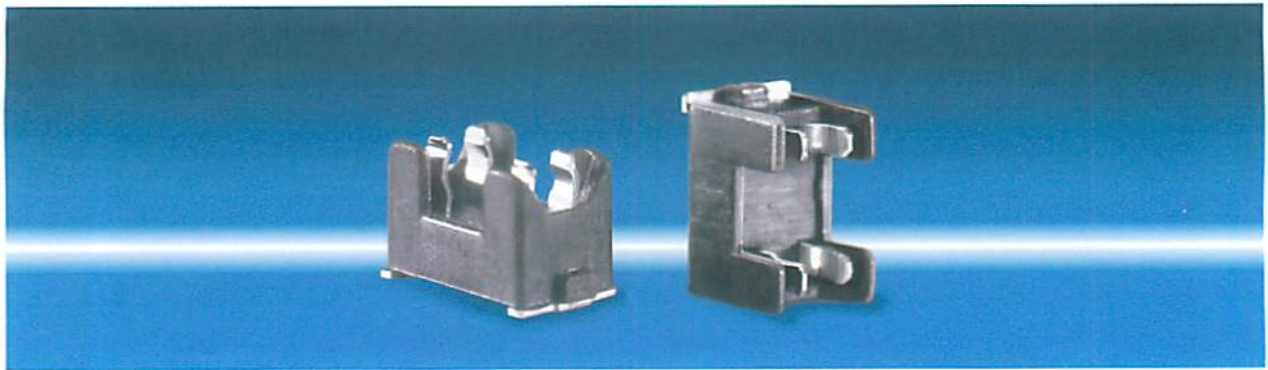


MELF Holder



KB274ZD1-e

Main Characteristics: MELF Holder / MELF Fixtures
Measurements

W = 3.2 mm x L = 5.0 mm x H = 3.4 mm
suitable for MINI-MELF according to CECC 40401-005

Measurements

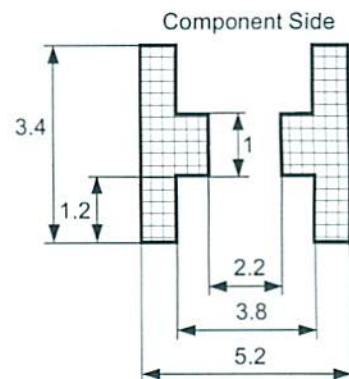
D = 1.3 – 1.65 mm

L = 3.2 – 3.60 mm

Reflow-Soldering < 215 °C, t = 20 s
< 240 °C, t = 10 s

Blister-Tape width IEC 286-3	12 mm
Diameter Blister-Tape Reel	330 mm
Units per Blister-Tape Reel	2250 Pieces

Example for
Connecting Areas



KB276ZD2-e

Part Number : C42408-A26-A1-1

Inductron
Inductive Electronic Components GmbH